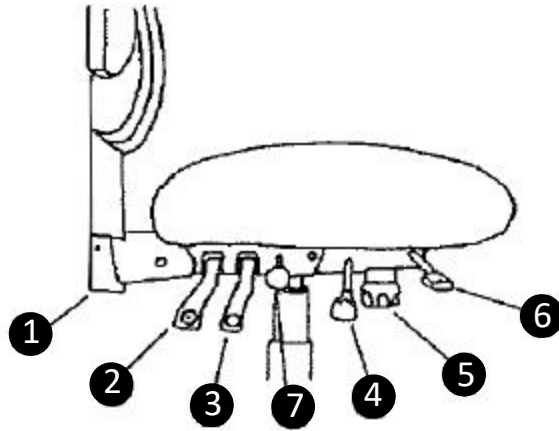


Operating Instructions for Multi-Function Seating



1. Ratchet Back Height Adjustment (not available on all models)

To raise back, pull up on bottom of back of chair one notch at a time until at a comfortable height. To lower back, pull up on back to fullest height to release back and let down to lowest setting, then raise gain.

2. Back Angle Adjustment Paddle

While seated, lift paddle (2) to adjust and lock back angle. Push down on paddle to lock in desired position

3. Seat Angle Adjustment/Tilt lock paddle

Paddle (3) may be used to adjust and lock the angle of the seat by pushing paddle down when seat is at the desired angle.

4. Seat Height Adjustment Paddle

To raise seat, lift paddle (4) while removing your weight. To lower seat lift paddle (4) while sitting on chair. Release paddle (4) at desired height.

5. Tilt Tension Adjustment Knob

Turn tension adjustment knob (5) to adjust the ease with which your chair tilts.

6. Forward Tilt Lever

Lever (6) allows the chair to be used at a forward sloping angle. To engage forward tilt, paddle (3) must be up and 3 to lock seat at a desired angle.

7. Seat Depth Adjustment Knob (not available on all models)

To adjust seat depth pull know (7) out and slide seat to desired position. Push in the knob (7) to lock in position.

